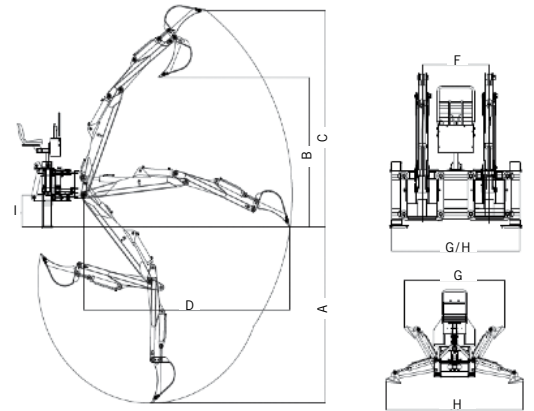




## BACKHOE

HW03 - TRACTORS TE 404  
 HW05 - TRACTORS TB 504  
 HW06 - TRACTORS TB 754

The LOVOL backhoe is ideal for any digging and filling operations. Thanks to its quick change seal, a person can install or detach it in less than five minutes!



### TECHNICAL DATA

Backhoe model			HW03	HW05	HW06
Matching tractor model		hp	TE 404	TB 504	TB 754
Max digging depth	A	mm/in	2000 / 78,7	2400 / 94,4	2800 / 110,2
Max unloading height	B	mm/in	1860 / 73,2	2050 / 80,7	2380 / 93,7
Max digging height	C	mm/in	2970 / 116,9	3210 / 126,3	3460 / 136,2
Working radius	D	mm/in	2700 / 106,2	3140 / 123,6	3600 / 141,7
Ground clearance	E	mm/in	450 / 17,7	450 / 17,7	500 / 19,6
Min transporting width	G	mm/in	1700 / 67	1700 / 67	1700 / 67
Max width of supporting legs	H	mm/in	2200 / 86,6	2200 / 86,6	2200 / 86,6
Bucket width		inches	14	16	18
Bucket capacity		m <sup>3</sup> /ft <sup>3</sup>	0.04 / 1,41	0.05 / 1,76	0.06 / 2,11
Weight		kg/lbs	450 / 992	500 / 1102	580 / 1279